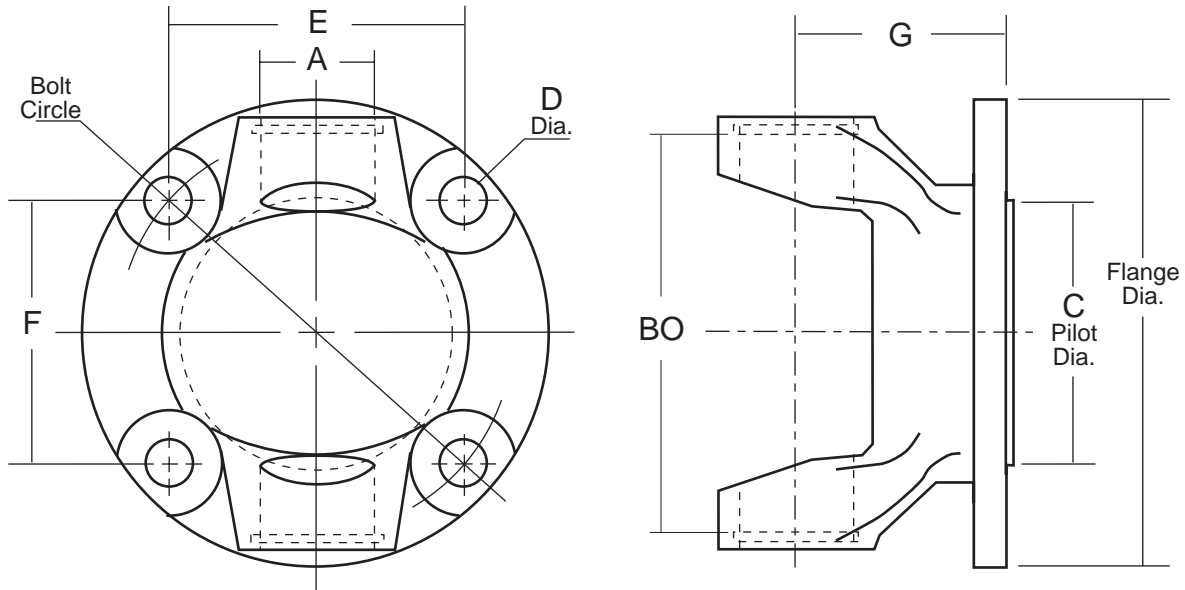


Another New Product from



1410 Series Flange Yoke



RDL Part No.	Flange Dia.	A Bearing Dia.	BI/BO U-Joint Lockup	C Pilot Dia.	Bolt Hole Dim.			CL to Flng End	G Bolt Circle	
					Holes	D	E			F
1410 Series		Dimension converted to Inches						Use RDL Kit - K160		
R3-2-3700	4.718	1.188	4.182 - (O)	2.756	4	.480	3.018	2.538	2.167	3.940
		Dimension converted to Metric								
R3-2-3700	120mm			70mm	4	12mm		55mm		100mm

This yoke is found on the Mitsubishi Fuso Medium Duty Trucks

MANUFACTURER OF DRIVELINE COMPONENTS
 1500 11TH AVENUE ROCKFORD, ILLINOIS 61104
 PHONE (815) 962-1411 FAX (815) 965-4857
 RockfordDriveLine.com