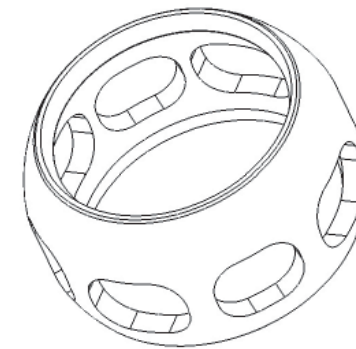


# **ROCKFORD**

## **CONSTANT VELOCITY**™

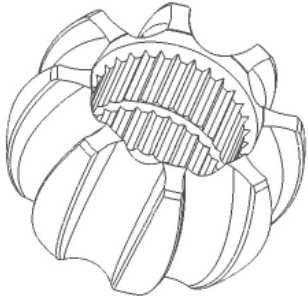


### 8 Ball Cages

<b>Outboard Applications</b>			
OD	Part No.	ID Markings	Where Used
<b>*** (found in but not limited too)***</b>			
2.143	720-0	EBJ 82	Subaru Rear Axles, Suzuki Liana
2.265	722-0	EBJ 87	Subaru Front Axles, Suzuki Aerio
2.406	724-0	EBJ 92	Mazda 6, Mitsubishi Elevation (Front and Rear), Mitsubishi Lancer 2.4L
2.420	725-0	No Marking	Ford Fusion, Mercury Milan, Toyota Rav 4
2.505	726-0	EBJ 95	Ford Fusion, Mercury Milan, Mazda 6
2.508	752-0	EUJ 87	Toyota Corolla
2.513	726-0A	EBJ 95 M	Ford Fusion, Mazda 6, Mitsubishi Lancer
2.635	727-0A	EBJ 100 M	Honda Odyssey, Nissan Altima, Nissan Murano
2.726	728-0	EBJ 104	Jeep Grand Cherokee, Nissan Equator, Nissan Frontier, Nissan Pathfinder, Toyota Avalon, Toyota Camry
2.743	728-0A	EBJ 104 M	Buick Enclave, Chevy Monte Carlo, GMC Acadia, Infinity FX35, Jeep Grand Cherokee, Mazda CX-9, Saturn Outlook
3.080	730-0	EBJ 117	Nissan Armada, Nissan Titan
3.105	730-0A	EBJ 117 M	Chevy Corvette 500HP
<b>Inboard Applications</b>			
OD	Part No.	ID Markings	Where Used
<b>*** (found in but not limited too)***</b>			
2.669	727-60	EDJ 100	Nissan Xterra
2.884	728-60	EDJ 104	Jeep Grand Cherokee
3.220	730-60	EDJ 117	Nissan Titan

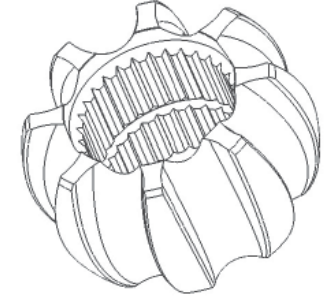
Don't see the part you need? We will make new cages and races you need.... Supply us with a cage, race & housing. We will return the housing with a couple sets of parts @ N/C

1-800-728-7237



# **ROCKFORD**

## **CONSTANT VELOCITY™**



### 8 Ball Inner Races

Outboard Applications					*** (found in but not limited too)***
OD	Teeth	Part No.	ID Markings	Where Used	
1.913	29T	720-018	EBJ 82	Subaru WRX Rear Axles	
1.913	29T*	720-018A		Suzuki Liana (teeth of inner race are bigger - aprox 0.013")	
2.015	30T	722-018	EBJ 87	Subaru WRX Front Axles	
2.130	32T	725-018	No Marking	Ford Fusion, Mercury Milan, Toyota Rav 4	
2.132	32T	724-018	EBJ 92	Mazda 6	
2.107	30T	752-018	EUJ 87	Toyota Corolla	
2.207	33T	726-018A	EBJ 95 M	Ford Fusion, Mazda 6, Mitsubishi Lancer	
2.213	33T	726-018	EBJ 95	Ford Fusion	
2.301	35T	727-018A	EBJ 100 M	Honda Odyssey, Nissan Altima, Nissan Murano, Jeep Wrangler (Lineshaft)	
2.404	36T	728-018A	EBJ 104 M	Buick Enclave, Chevy Monte Carlo, GMC Acadia, Infinity FX35, Jeep Grand Cherokee, Mazda CX-9, Saturn Outlook	
2.414	36T	728-018	EBJ 104	Jeep Grand Cherokee, Nissan Equator, Nissan Frontier, Nissan Pathfinder, Toyota Avalon, Toyota Camry	
2.713	40T	730-018A	EBJ 117 M	Chevy Corvette 500HP	
2.726	40T	730-018	EBJ 117	Nissan Armada, Nissan Titan	
Inboard Applications					*** (found in but not limited too)***
OD	Teeth	Part No.	ID Markings	Where Used	
2.234	35T	727-068	EDJ 100	Nissan Xterra	
2.411	36T	728-068	EDJ 104	Jeep Grand Cherokee	
2.700	40T	730-068	EDJ 117	Nissan Titan	

Don't see the part you need? We will make new cages and races you need.... Supply us with a cage, race & housing. We will return the housing with a couple sets of parts @ N/C

1-800-728-7237