

ROCKFORD

Drive Line

Slip Yoke Assemblies



***Light Duty, Medium Duty, Heavy Duty,
Transmission & C.V.***

MANUFACTURER OF DRIVELINE COMPONENTS
1500 11TH AVENUE ROCKFORD, ILLINOIS 61104
PHONE (815) 962-1411 FAX (815) 965-4857
RockfordDriveLine.com

How to Use This Section

Determine which type of slip yoke you need by referring to the illustrations and descriptions at the top of each page.

1. Determine the series of the yoke. This can also be determined by measuring the bearing diameter **(A)** and snap ring lockup **(B)**.
*Note: Inside snap ring type yokes will show the B dimension followed by (I)
 Outside snap ring type yokes will show the B dimension followed by (O)*
2. Determine the number of teeth **(C)** or type of hole **(C)** on your yoke.
3. Determine the major diameter of the spline **(D)** or bore diameter **(D)** on your yoke.
4. Determine the length of the yoke from the centerline of the u-joint to the end of the yoke **(E)**.

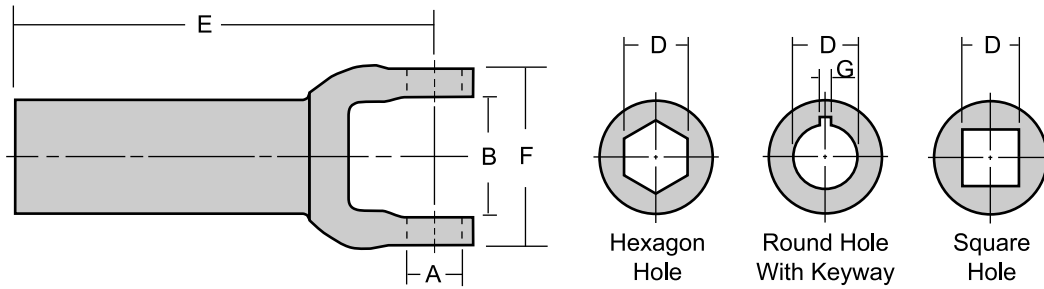
Distance across the ears, keyway widths & dustshield styles are also included for additional identification.

Part series are shown in ***Bold Italics*** for easy lookup - RDL Kit number is also shown to the far right of each series for quick referencing.

RDL Part Number	A Bearing Diameter	B Snap Ring Lockup - (O/I)	C Number of Teeth	D Major Spline Dia.	E Center Line To End	F Distance Across Ears	Dust Cap Included
<i>1210 Series</i>						<i>Use RDL Kit - K443</i>	
R2-3-8861	1.063	2.437 - (O)	16	1.250	6.375	2.688	Style 1

Notice: The data contained in this catalog has been thoroughly checked for accuracy, however we cannot assume any responsibility for errors, omissions or typographical mistakes that may appear.

SLIP YOKES (P.T.O.)



RDL Part Number	A Bearing Diameter	B Snap Ring Lockup - (O/I)	C Hole Type	D Bore Diameter	E Center Line To End	F Distance Across Ears	G Keyway Width
-----------------	-----------------------	-------------------------------	----------------	--------------------	-------------------------	---------------------------	-------------------

1000 Series

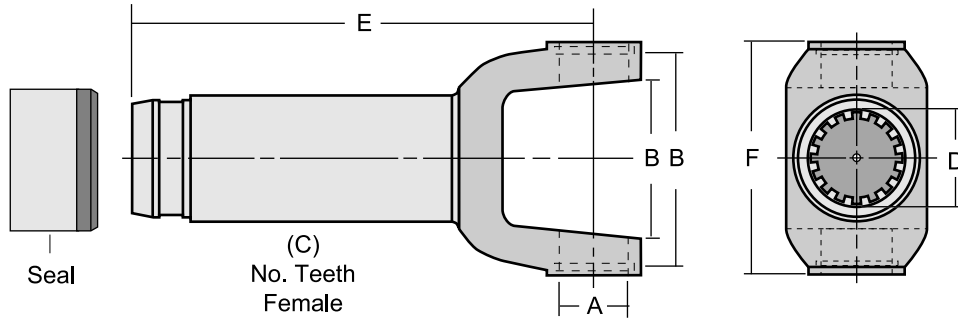
Hexagon, Round or Square Holes

Use RDL Kit - K170

R10-3-162	.938	1.500 - (I)	Hexagon	.875	5.500	2.312	—
R10-3-32	.938	1.500 - (I)	Hexagon	1.125	5.500	2.312	—
R10-3-13	.938	1.500 - (I)	Round	.750	5.500	2.312	.188
R10-3-23	.938	1.500 - (I)	Round	.813	5.500	2.312	.250
R10-3-33	.938	1.500 - (I)	Round	.875	5.500	2.312	.250
R10-3-83	.938	1.500 - (I)	Round	1.000	5.500	2.312	.250
R10-3-183	.938	1.500 - (I)	Round	1.125	5.500	2.312	.312
R10-3-163	.938	1.500 - (I)	Round	1.250	5.500	2.312	.312
R10-3-12	.938	1.500 - (I)	Square	.750	5.500	2.312	—
R10-3-22	.938	1.500 - (I)	Square	.875	5.500	2.312	—
R10-3-122	.938	1.500 - (I)	Square	1.000	5.500	2.312	—



SLIP YOKES (Light & Medium Duty)

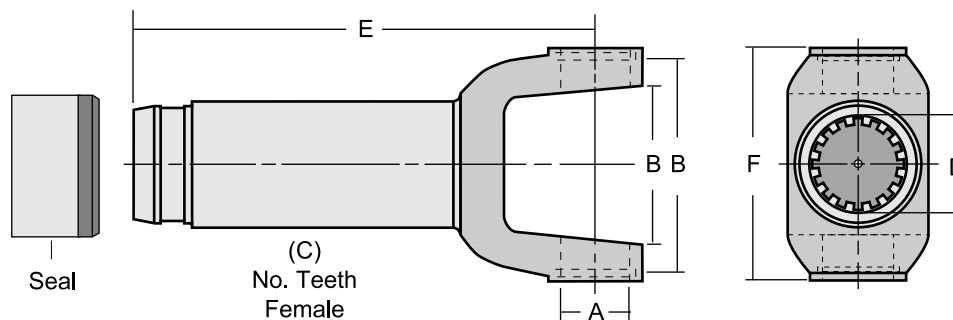


RDL Part Number	A Bearing Diameter	B Snap Ring Lockup - (O/I)	C Number of Teeth	D Major Spline Dia.	E Center Line To End	F Distance Across Ears	Dust Cap Included
1000 Series			Inside Snap Ring		Use RDL Kit - K170		
R10-3-81	.938	1.500 - (I)	10	1.125	5.500	2.312	—
R10-3-18	.938	1.500 - (i)	16	1.250	5.500	2.312	Style 1
1210 Series			Outside Snap Ring		Use RDL Kit - K443		
R2-3-8861	1.063	2.437 - (O)	16	1.250	6.375	2.688	Style 1
R2-3-9491	1.063	2.437 - (O)	16	1.250	6.375	2.688	Style 9
R2-3-8961	1.063	2.437 - (O)	16	1.250	8.000	2.688	Style 1
1310 Series			Outside Snap Ring		Use RDL Kit - K153		
R2-3-4441	1.063	3.217 - (O)	16	1.250	6.562	3.469	Style 8
R2-3-8841	1.063	3.217 - (O)	16	1.250	6.562	3.469	Style 2
R2-3-128	1.063	3.217 - (O)	16	1.375	5.375	3.469	Style 1
R2-3-128HA** ⁽¹⁾	1.063	3.217 - (O)	16	1.375	5.375	3.469	Style 1
R2-3-7981	1.063	3.217 - (O)	16	1.375	6.000	3.469	Style 4
R2-3-4951	1.063	3.217 - (O)	16	1.375	6.000	3.469	Style 3
R2-3-8001	1.063	3.217 - (O)	16	1.375	6.875	3.469	Style 1
R2-3-5221	1.063	3.217 - (O)	16	1.375	6.875	3.469	Style 3
R2-3-8021	1.063	3.217 - (O)	16	1.375	7.875	3.469	Style 1
R2-3-5821	1.063	3.217 - (O)	16	1.375	7.875	3.469	Style 3
R2-3-7171	1.063	3.217 - (O)	31 on 32	1.375	6.625	3.469	Style 4
1330 Series			Outside Snap Ring		Use RDL Kit - K213 or K1203		
R2-3-8941**	1.063	3.622 - (O)	15 on 16	1.375	7.500	3.875	Style 9
R2-3-7961	1.063	3.622 - (O)	16	1.375	6.000	3.875	Style 2
R2-3-8041	1.063	3.622 - (O)	16	1.375	7.500	3.875	Style 1

** New addition to MC1006-3 catalog.

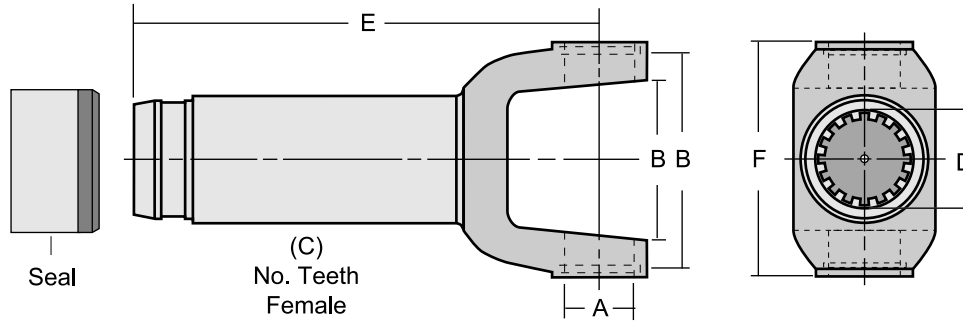
⁽¹⁾ HA allows 15° more angle than standard part number.

SLIP YOKES (Light & Medium Duty)



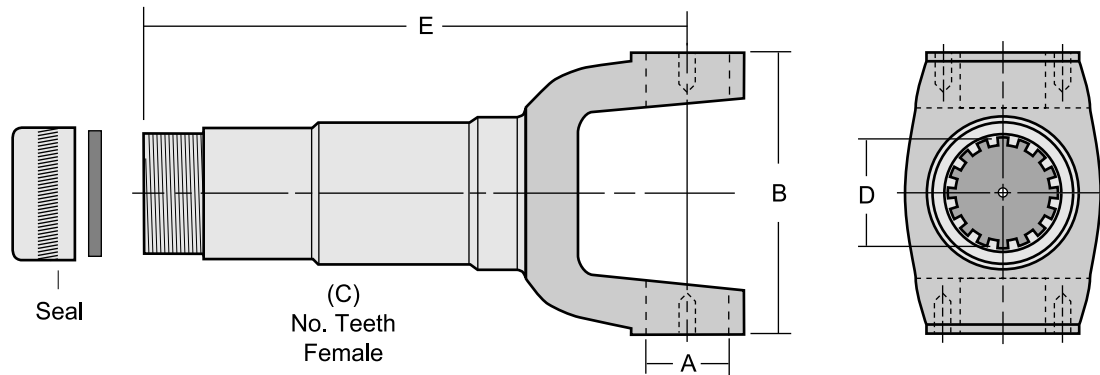
RDL Part Number	A Bearing Diameter	B Snap Ring Lockup - (O/I)	C Number of Teeth	D Major Spline Dia.	E Center Line To End	F Distance Across Ears	Dust Cap Included
7260 Series			Inside Snap Ring		Use RDL Kit - K1306		
R2-3-10621	1.078	2.121 - (I)	16	1.375	6.875	3.000	Style 1
3R Series			Inside Snap Ring		Use RDL Kit - K3147		
R3R-3-9170	1.125	2.556 - (I)	16	1.375	7.375	3.563	Style 1
R3R-3-9165	1.125	2.556 - (I)	31 on 32	1.375	7.375	3.563	Style 4
7290 Series			Inside Snap Ring		Use RDL Kit - K1309		
R29-3-9170**	1.126	2.620 - (i)	16	1.375	7.375	3.563	Style 1
1350 Series			Outside Snap Ring		Use RDL Kit - K178		
R3-3-1501	1.188	3.622 - (O)	16	1.375	5.812	3.875	Style 1
R3-3-8021**	1.188	3.622 - (O)	16	1.375	7.875	3.875	Style 1
R3-3-2471**	1.188	3.622 - (O)	31 on 32	1.375	6.625	3.875	Style 7
R3-3-2931**	1.188	3.622 - (O)	16	1.500	3.344	3.875	Style 4
R3-3-598	1.188	3.622 - (O)	16	1.500	5.812	3.875	Style 4
R3-3-1516**	1.188	3.622 - (O)	16	1.500	6.719	3.875	Style 4
R3-3-488	1.188	3.622 - (O)	16	1.500	7.312	3.875	Style 4
R3-3-3190**	1.188	3.622 - (O)	16	1.500	10.500	3.875	Style 4
1410 Series			Outside Snap Ring		Use RDL Kit - K160		
R3-3-2041	1.188	4.182 - (O)	16	1.500	5.250	4.438	Style 4
R3-3-118	1.188	4.182 - (O)	16	1.500	6.500	4.438	Style 4
R3-3-508	1.188	4.182 - (O)	16	1.500	7.812	4.438	Style 4

SLIP YOKES (Light & Medium Duty)



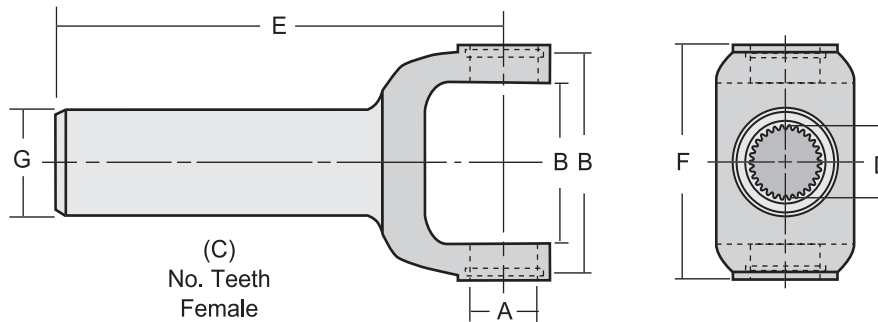
RDL Part Number	A Bearing Diameter	B Snap Ring Lockup - (O/I)	C Number of Teeth	D Major Spline Dia.	E Center Line To End	F Distance Across Ears	Dust Cap Included
1480 Series			Outside Snap Ring		Use RDL Kit - K188		
R3-3-1601	1.375	4.182 - (O)	16	1.562	6.812	4.438	Style 4
R3-3-1641	1.375	4.182 - (O)	16	1.562	9.500	4.438	Style 5
1550 Series			Outside Snap Ring		Use RDL Kit - K155		
R4-3-1241	1.375	4.966 - (O)	16	1.750	6.875	5.250	Style 5
R4-3-1431	1.375	4.966 - (O)	16	1.750	10.062	5.250	Style 5

SLIP YOKES (Heavy Duty)



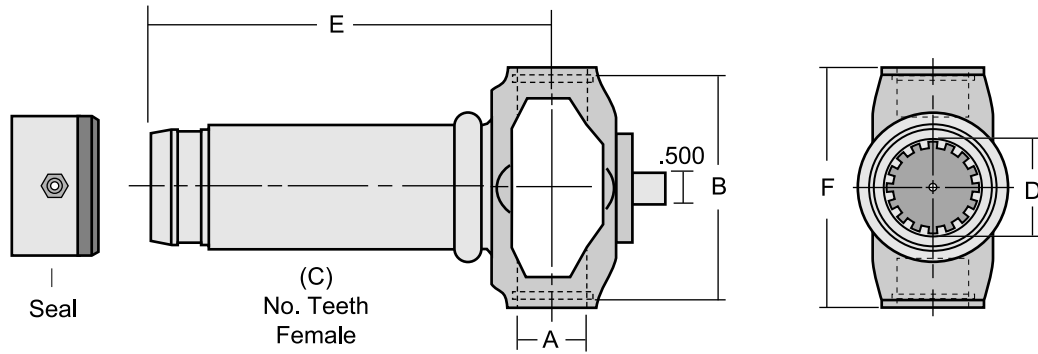
RDL Part Number	A Bearing Diameter	B Distance Across Ears	C Number of Teeth	D Major Spline Dia.	E Center Line To End	Dust Cap Included
1610 Series			Bearing Plate Holes		Use RDL Kit - K279 or K674	
R5-3-108	1.875	5.310	16	2.000	7.812	Style 5
R5-3-288	1.875	5.310	16	2.000	9.312	Style 5
R5-3-2261	1.875	5.310	16	2.000	10.812	Style 5
R5-3-478	1.875	5.310	16	2.000	11.312	Style 5
1710 Series			Bearing Plate Holes		Use RDL Kit - K280 or K675	
R6-3-2741	1.937	6.092	16	2.500	7.469	Style 5
R6-3-2631	1.937	6.092	16	2.500	8.844	Style 5
R6-3-2671	1.937	6.092	16	2.500	9.594	Style 5
R6-3-2651	1.937	6.092	16	2.500	11.688	Style 5
1760 Series			Bearing Plate Holes		Use RDL Kit - K407 or K677	
R6.3-3-41	1.937	7.000	16	2.500	9.250	Style 5
R6.3-3-21	1.937	7.000	16	2.500	11.156	Style 5
1810 Series			Bearing Plate Holes		Use RDL Kit - K281 or K676	
R6.5-3-1431	1.937	7.554	16	3.000	8.938	Style 7
R6.5-3-1351	1.937	7.554	16	3.000	10.250	Style 7
R6.5-3-1371	1.937	7.554	16	3.000	11.875	Style 7

TRANSMISSION SLIP YOKES



RDL Part Number	A Bearing Diameter	B Snap Ring Lockup - (O/I)	C Number of Teeth	D Major Spline Dia.	E Center Line To End	F Distance Across Ears	G Seal Dia	CB-Counterbore FS-Full Spline
1310 Series			Use RDL Kit - K153					
R2-3-6081	1.063	3.217 - (O)	26 on 27	1.176	5.469	3.469	1.500	FS-Full Spline
R2-3-10431**	1.063	3.217 - (O)	26 on 27	1.176	5.469	3.469	1.500	FS-Full Spline
R2-3-12411**	1.063	3.217 - (O)	26 on 27	1.176	5.750	3.469	1.503	FS-Full Spline
1330 Series			Use RDL Kit - K213 or K1203					
R2-3-10201**	1.063	3.620 - (O)	30 on 31	1.390	7.000	3.875	1.886	FS- Full Spline
R2-3-10831**	1.063	3.620 - (O)	31 on 32	1.378	6.750	3.875	1.875	FS-Full Spline
R2-3-10791**	1.063	3.620 - (O)	31 on 32	1.378	7.938	3.875	1.886	CB- Counterbore
3R Series			Use RDL Kit - K3147					
R3R-3-6081	1.125	2.556 - (I)	26 on 27	1.176	5.469	3.563	1.500	FS-Full Spline
R3R-3-9131**	1.125	2.556 - (I)	31 on 32	1.391	7.500	3.563	1.875	CB-Counterbore
R3R-3-9161**	1.125	2.556 - (I)	31 on 32	1.391	7.500	3.563	1.875	FS-Full Spline
R3R-3-9101**	1.125	2.556 - (I)	31 on 32	1.391	8.063	3.563	1.875	FS-Full Spline
1350 Series			Use RDL Kit - K178					
R3-3-5571**	1.188	3.620 - (O)	31 on 32	1.378	6.938	3.875	1.886	FS- Full Spline

CV SLIP YOKES (Spicer C.V. Applications)



RDL Part Number	A Bearing Diameter	B Snap Ring Lockup - (O/I)	C Number of Teeth	D Major Spline Dia.	E Center Line To End	F Distance Across Ears	Dust Cap Number Inc.
-----------------	-----------------------	-------------------------------	----------------------	------------------------	-------------------------	---------------------------	----------------------

1210 Series

Use RDL Kit - K443

R2-3-3129	1.063	2.437 - (O)	16	1.250	6.375	2.688	Style 2
-----------	-------	-------------	----	-------	-------	-------	---------

1310 Series

Use RDL Kit - K153

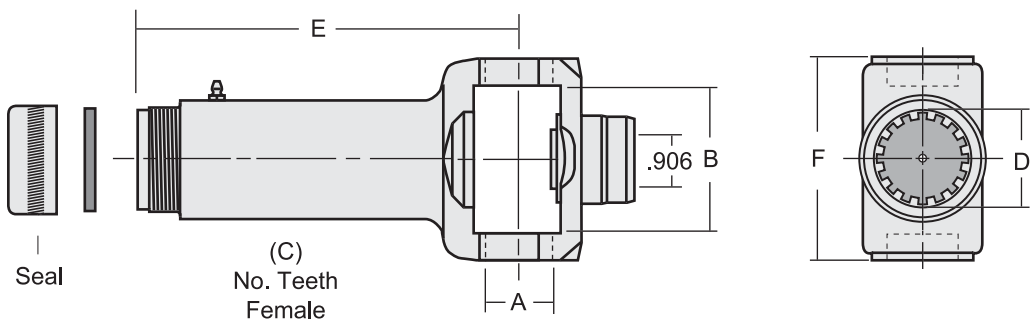
R2-3-3130	1.063	3.217 - (O)	16	1.375	7.063	3.469	Style 2
-----------	-------	-------------	----	-------	-------	-------	---------

1330 Series

Use RDL Kit - K1203 or K213

R2-3-3131	1.063	3.622 - (O)	16	1.375	6.438	3.875	Style 2
R2-3-3134	1.063	3.622 - (O)	16	1.500	8.188	3.875	Style 4

CV SLIP YOKES (Saginaw C.V. Applications)



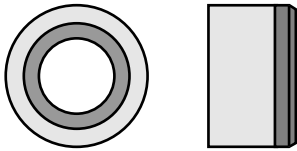
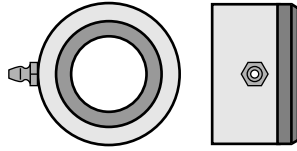
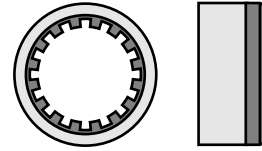
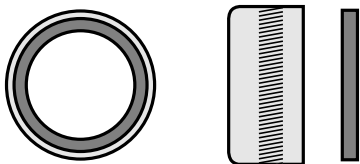
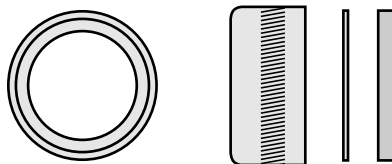
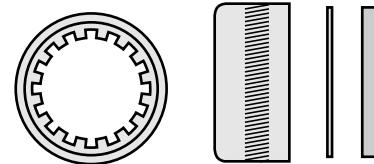
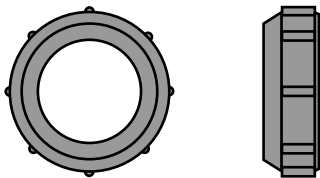
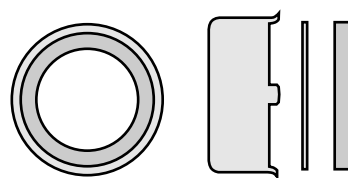
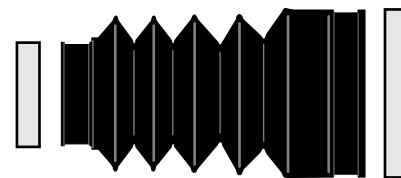
RDL Part Number	A Bearing Diameter	B Snap Ring Lockup - (O/I)	C Number of Teeth	D Major Spline Dia.	E Center Line To End	F Distance Across Ears	Dust Cap Number Inc.
-----------------	-----------------------	-------------------------------	----------------------	------------------------	-------------------------	---------------------------	----------------------

3R Series

Use RDL Kit - K3147

R3R-3-5499**	1.125	2.556 - (I)	31 on 32	1.375	6.625	3.500	Style 4
--------------	-------	-------------	----------	-------	-------	-------	---------

Seal & Boot Kit Designs (Included With Slip Yoke Assemblies)

Style 1**Press-On Seal
(1 Piece)****Style 2****Press-On Seal
With Grease
Fitting
(1 Piece)****Style 3****Press-On Seal
With Splined
Rubber
(1 Piece)****Style 4****Threaded Sheet
Metal Seal
With Rubber
Gasket
(2 Piece)****Style 5****Threaded Sheet
Metal Seal
With Cork
Gasket
(3 Piece)****Style 6****Threaded Sheet
Metal Seal
With Splined
Cork Gasket
(3 Piece)****Style 7****Threaded Rubber
Seal
(1 Piece)****Style 8****Press-On Sheet
Metal Seal
With Cork Gasket
and Stake Down
Tabs
(3 Piece)****Style 9****Rubber Boot Kit
With Clamps
(3 Piece)**

Notes:



PART NUMBER INTERCHANGE LIST

MFG. NO.	OUR NO.	MFG. NO.	OUR NO.
Neapco		N3R-3-9170KX	R3R-3-9165
10-0312	R10-3-12	N3R-38-5499	R3R-3-5499**
10-0313	R10-3-13	N4-3-1241KX	R4-3-1241
10-0318	R10-3-18	N4-3-1431KX	R4-3-1431
10-0322	R10-3-22	N5-3-288KX	R5-3-288
10-0323	R10-3-23	N5-3-2261KX	R5-3-2261
10-0332	R10-3-32	N6-3-2651KX	R6-3-2651
10-0333	R10-3-33	N6-3-2671KX	R6-3-2671
10-0381	R10-3-81	N6.3-3-21KX	R6.3-3-21
10-0383	R10-3-83	N6.3-3-41KX	R6.3-3-41
10-3122	R10-3-122	N6.5-3-1351KX	R6.5-3-1351
10-3162	R10-3-162	N6.5-3-1371KX	R6.5-3-1371
10-3163	R10-3-163	N729-3-1631KX	R29-3-9170**
10-3183	R10-3-183		
N2-3-128KX	R2-3-128	Powertrain Industries	
N2-3-4441KX	R2-3-4441	3R03-32	R3R-3-9165
N2-3-4951KX	R2-3-4951	3R03-32CV	R3R-3-5499**
N2-3-5221KX	R2-3-5221		
N2-3-5821KX	R2-3-5821	Spicer	
N2-3-6081X	R2-3-6081	10-3-12X	R10-3-12
N2-3-7171KX	R2-3-7171	10-3-13X	R10-3-13
N2-3-7260KX	R2-3-10621	10-3-18X	R10-3-18
N2-3-7961KX	R2-3-7961	10-3-22X	R10-3-22
N2-3-7981KX	R2-3-7981	10-3-23X	R10-3-23
N2-3-8001KX	R2-3-8001	10-3-32X	R10-3-32
N2-3-8021KX	R2-3-8021	10-3-33X	R10-3-33
N2-3-8041KX	R2-3-8041	10-3-81X	R10-3-81
N2-3-8861KX	R2-3-8861	10-3-83X	R10-3-83
N2-3-8961KX	R2-3-8961	10-3-122X	R10-3-122
N3-3-118KX	R3-3-118	10-3-162X	R10-3-162
N3-3-488KX	R3-3-488	10-3-163X	R10-3-163
N3-3-508KX	R3-3-508	10-3-183X	R10-3-183
N3-3-598KX	R3-3-598	2-3-128KX	R2-3-128
N3-3-1501KX	R3-3-1501	2-3-4441KX	R2-3-4441
N3-3-1516KX	R3-3-1516**	2-3-4951KX	R2-3-4951
N3-3-1601KX	R3-3-1601	2-3-5221KX	R2-3-5221
N3-3-1641KX	R3-3-1641	2-3-5821KX	R2-3-5821
N3-3-2041KX	R3-3-2041	2-3-6081X	R2-3-6081
N3-3-2471KX	R3-3-2471**	2-3-7171KX	R2-3-7171
N3-3-4261X	R3-3-5571**	2-3-7961KX	R2-3-7961
N3R-3-6081X	R3R-3-6081	2-3-7981KX	R2-3-7981
N3R-3-9101X	R3R-3-9101**	2-3-8001KX	R2-3-8001
N3R-3-9131X	R3R-3-9131**	2-3-8021KX	R2-3-8021
N3R-3-9161X	R3R-3-9161**	2-3-8041KX	R2-3-8041
N3R-3-9165KX	R3R-3-9170		

** New addition to MC1006-3 catalog



PART NUMBER INTERCHANGE LIST

MFG. NO.	OUR NO.	MFG. NO.	OUR NO.
Spicer (cont.)		S-8479	R6.3-3-21
2-3-8841KX	R2-3-8841	S-8480	R6.3-3-41
2-3-8861KX	R2-3-8861	S-8525	R6.5-3-1351
2-3-8941KX	R2-3-8941**	S-8628	R10-3-32
2-3-8961KX	R2-3-8961	S-8629	R10-3-83
2-3-10201X	R2-3-10201**	S-8642	R2-3-5221
2-3-10431X	R2-3-10431**	S-8643	R2-3-8041
2-3-10621KX	R2-3-10621	S-8644	R3-3-1601
2-3-10791X	R2-3-10791**	S-9672	R3-3-1501
2-3-10831X	R2-3-10831**	S-9894	R3-3-508
2-3-12411X	R2-3-12411**	S-9895	R2-3-8001
3-3-118KX	R3-3-118	S-9980	R2-3-5821
3-3-488KX	R3-3-488	S-9981	R2-3-8021
3-3-508KX	R3-3-508	S-A177	R4-3-1241
3-3-598KX	R3-3-598	S-A583	R3-3-1641
3-3-1501KX	R3-3-1501	S-A970	R3-3-488
3-3-1516KX	R3-3-1516**	S-B085	R3R-3-9165
3-3-1601KX	R3-3-1601	S-B604	R2-3-4441
3-3-1641KX	R3-3-1641	S-B605	R2-3-6081
3-3-2041KX	R3-3-2041	S-B611	R3-3-2041
3-3-2471KX	R3-3-2471**	S-B990	R3R-3-9170
3-3-2931KX	R3-3-2931**	S-D763	R10-3-18
3-3-5571X	R3-3-5571**	S-D764	R10-3-22
4-3-1241KX	R4-3-1241	S-D765	R10-3-163
4-3-1431KX	R4-3-1431	S-E454	R3-3-118
5-3-108KX	R5-3-108		
5-3-288KX	R5-3-288		
5-3-2261KX	R5-3-2261		
6-3-2631KX	R6-3-2631		
6-3-2651KX	R6-3-2651		
6-3-2671KX	R6-3-2671		
6-3-2741KX	R6-3-2741		
6.3-3-21KX	R6.3-3-21		
6.3-3-41KX	R6.3-3-41		
6.5-3-1351KX	R6.5-3-1351		
6.5-3-1371KX	R6.5-3-1371		
6.5-3-1431KX	R6.5-3-1431		
S & S Truck Parts (New Star)			
S-5569	R6.5-3-1371		
S-5665	R5-3-2261		
S-7432	R6-3-2651		
S-7433	R6-3-2671		
S-8112	R2-3-128		

** New addition to MC1006-3 catalog

Notes:

PART NUMBER INDEX



PART NUMBER	PG	PART NUMBER	PG
R10-3-12	3	R3-3-1516**	5
R10-3-13	3	R3-3-1601	6
R10-3-18	4	R3-3-1641	6
R10-3-22	3	R3-3-2041	5
R10-3-23	3	R3-3-2471**	5
R10-3-32	3	R3-3-2931**	5
R10-3-33	3	R3-3-3190**	5
R10-3-81	4	R3-3-5571**	8
R10-3-83	3	R3-3-8021**	5
R10-3-122	3	R3R-3-5499**	9
R10-3-162	3	R3R-3-6081	8
R10-3-163	3	R3R-3-9101**	8
R10-3-183	3	R3R-3-9131**	8
R2-3-128	4	R3R-3-9161**	8
R2-3-128HA**	4	R3R-3-9165	5
R2-3-3129	9	R3R-3-9170	5
R2-3-3130	9	R4-3-1241	6
R2-3-3131	9	R4-3-1431	6
R2-3-3134	9	R5-3-108	7
R2-3-4441	4	R5-3-288	7
R2-3-4951	4	R5-3-478	7
R2-3-5221	4	R5-3-2261	7
R2-3-5821	4	R6-3-2631	7
R2-3-6081	8	R6-3-2651	7
R2-3-7171	4	R6-3-2671	7
R2-3-7961	4	R6-3-2741	7
R2-3-7981	4	R6.3-3-21	7
R2-3-8001	4	R6.3-3-41	7
R2-3-8021	4	R6.5-3-1351	7
R2-3-8041	4	R6.5-3-1371	7
R2-3-8841	4	R6.5-3-1431	7
R2-3-8861	4		
R2-3-8941**	4		
R2-3-8961	4		
R2-3-9491	4		
R2-3-10201**	8		
R2-3-10431**	8		
R2-3-10621	5		
R2-3-10791**	8		
R2-3-10831**	8		
R2-3-12411**	8		
R29-3-9170**	5		
R3-3-118	5		
R3-3-488	5		
R3-3-508	5		
R3-3-598	5		
R3-3-1501	5		

** New addition to MC1006-3 catalog

MANUFACTURER OF DRIVELINE COMPONENTS
1500 11TH AVENUE ROCKFORD, ILLINOIS 61104
PHONE (815) 962-1411 FAX (815) 965-4857
RockfordDriveLine.com