

ROCKFORD

Drive Line



***Light Duty, Medium Duty & Heavy Duty
Including Conversion Designs***

MANUFACTURER OF DRIVELINE COMPONENTS
1500 11TH AVENUE ROCKFORD, ILLINOIS 61104
PHONE (815) 962-1411 FAX (815) 965-4857
RockfordDriveLine.com

How to Use This Section

Determine which type of flange yoke you need by referring to the illustrations and descriptions at the top of each page.

To identify a (Flange Yoke)

1. Determine the yoke type you need listed at the top of each page.
Standard Applications indicate the flange yoke uses round bearings.
Bearing Plate Applications indicate the flange yoke is only used on applications requiring a universal joint mounted by bearing plates.
Conversion Applications indicate the flange yoke is used to convert different designed flanges to fit more common series universal joints.
2. Determine the **Series** of the yoke. For Standard, Bearing Plate & Conversion applications this can be determined by measuring the bearing diameter **(A)** and snap ring lockup **(B)**.
3. Determine the **Pilot Diameter** & Style (M - Male / F - Female) **(C)**.
4. Next determine the number of **Holes** & **Bolt Hole Dimension (D)**, followed by the Bolt Hole Pattern **(E & F)**

Centerline to Flange End (G) dimensions & Bolt Circle are also included for additional identification.

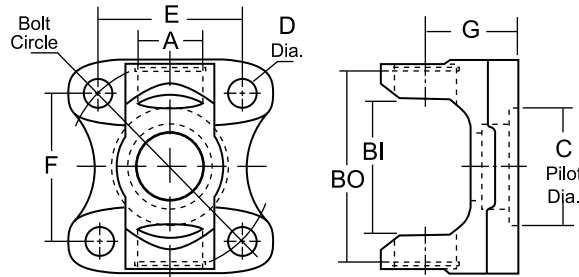
RDL Part No.	Yoke Type	A Bearing Dia.	BI / BO U-Joint Lockup	C Pilot Dia.	Bolt Hole Dim.				CL to Flng End	G Bolt Circle
					Holes	D	E	F		

1350 Series

Use RDL Kit - K178

R3-2-1579	Type 1	1.188	3.622-(O)	2.000-F	4	.500	3.000	3.000	1.563	4.250
R3-2-119	Type 1	1.188	3.622-(O)	2.750-M	4	.438	2.875	2.406	1.563	3.750

FLANGE YOKE (Standard Applications)



Type 1

RDL Part No.	Yoke Type	A Bearing Dia.	BI / BO U-Joint Lockup	C Pilot Dia.	Bolt Hole Dim.			G CL to Flng End	Bolt Circle
					Holes	D	E		

2R Series

Use RDL Kit - K2011

R2R-2-293	Type 1	1.000	2.339-(I)	2.375-M	4	.380	2.389	2.002	1.438	3.120
-----------	--------	-------	-----------	---------	---	------	-------	-------	-------	-------

1210 Series

Use RDL Kit - K443

R2-2-1049	Type 1	1.063	2.437-(O)	2.000-F	4	.484	2.469	2.469	1.625	3.500
-----------	--------	-------	-----------	---------	---	------	-------	-------	-------	-------

1210 Series (Conversion Applications)

Use RDL Kit - K443

R2-2-2323**	Type 1	1.063	2.437-(O)	1.809-M	4	.328	2.167	2.167	1.500	3.063
R2-2-899	Type 1	1.063	2.437-(O)	2.250-M	4	.328	2.106	1.766	1.484	2.750
R2-2-1050	Type 1	1.063	2.437-(O)	2.875-F	4	.413	2.784	2.784	1.625	3.937

*Toyota Bolt Pattern
*Nissan & Toyota Bolt Pattern
*GM Cage & Ball Housings

1310 Series

Use RDL Kit - K153

R2-2-939	Type 1	1.063	3.217-(O)	2.000-F	4	.484	2.469	2.469	1.625	3.500
R2-2-1379	Type 1	1.063	3.217-(O)	2.000-F	4	.484	3.000	3.000	1.625	4.250
R2-2-329	Type 1	1.063	3.217-(O)	2.375-M	4	.375	2.390	2.015	1.375	3.125
R2-2-459	Type 1	1.063	3.217-(O)	2.375-M	4	.375	2.390	2.015	1.625	3.125
R2-2-1949	Type 1	1.063	3.217-(O)	2.558-M	4	.484	2.651	2.651	1.781	3.750
R2-2-479	Type 1	1.063	3.217-(O)	2.750-M	4	.438	2.875	2.412	1.375	3.750

1310 Series (Conversion Applications)

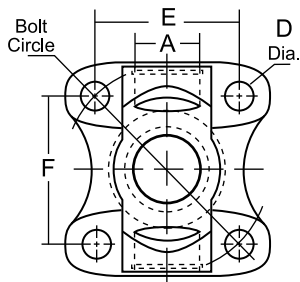
Use RDL Kit - K153

R2-2-3173	Type 1	1.063	3.217-(O)	1.770-M	4	.406	2.677	2.677	1.625	3.781
R2-2-799	Type 1	1.063	3.217-(O)	1.809-M	4	.328	2.520	2.202	1.375	3.343

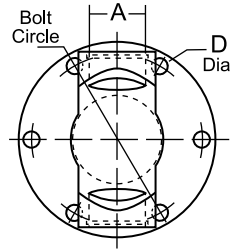
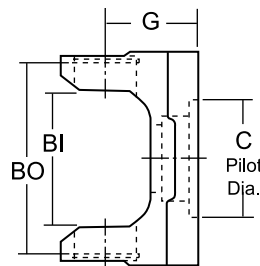
*Mazda Bolt Pattern
*Toyota Bolt Pattern

** New addition to MC1014-2 catalog

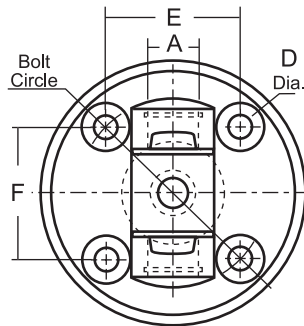
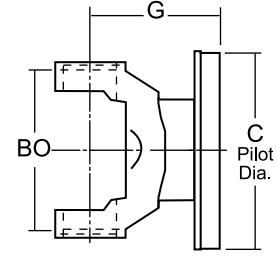
FLANGE YOKE (Standard Applications)



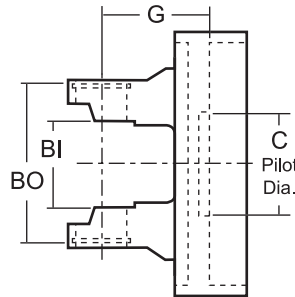
Type 1



Type 2



Type 8



RDL Part No.	Yoke Type	A Bearing Dia.	BI / BO U-Joint Lockup	C Pilot Dia.	Bolt Hole Dim.			G CL to Flng End	Bolt Circle
					Holes	D	E		

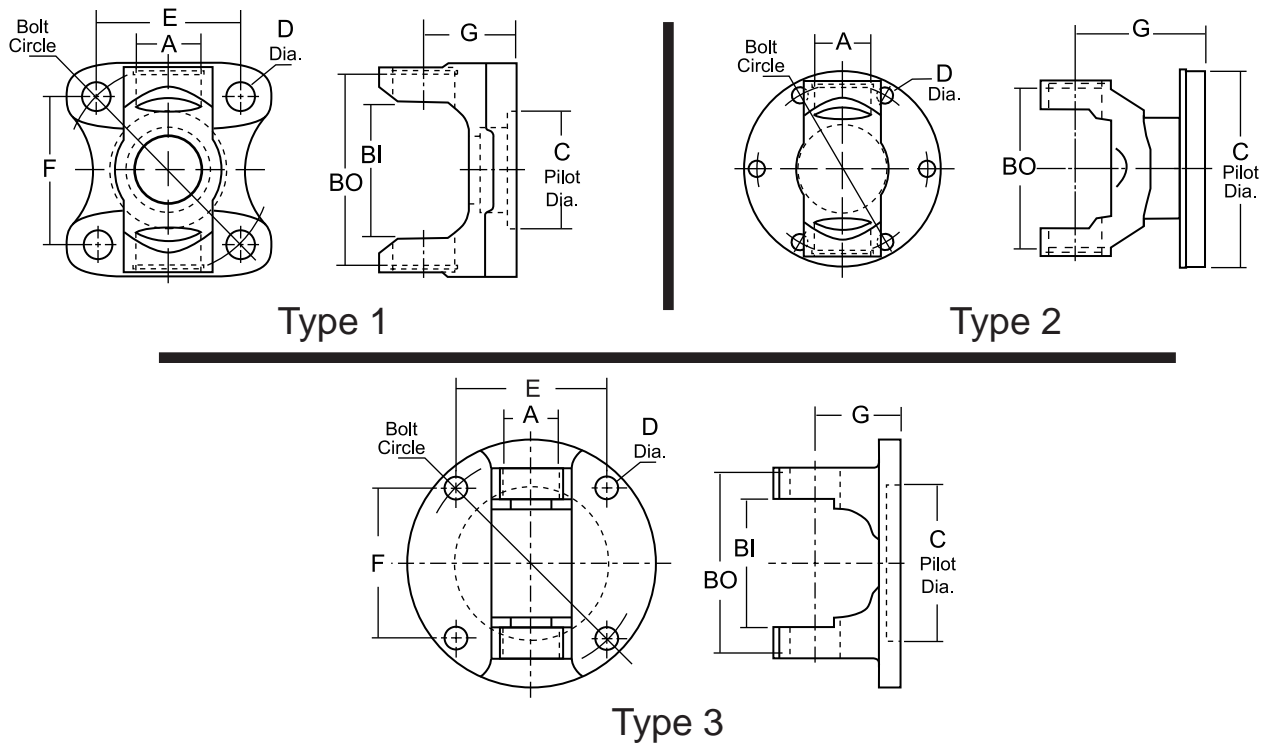
1310 Series (Conversion Applications) cont.

Use RDL Kit - K153

R2-2-799-1	Type 1	1.063	3.217-(O)	1.809-M	4	.406	2.358	2.358	1.375	3.330	<i>*Toyota Bolt Pattern</i>
R2-2-799-2	Type 1	1.063	3.217-(O)	1.809-M	4	.406	2.520	2.202	1.375	3.340	<i>*Toyota Bolt Pattern</i>
R2-2-799-3	Type 1	1.063	3.217-(O)	1.809-M	4	.406	2.696	2.364	1.563	3.575	<i>*Toyota Bolt Pattern</i>
R2-2-799-4	Type 1	1.063	3.217-(O)	1.809-M	4	.445	2.596	2.596	1.563	3.670	<i>*Toyota Bolt Pattern</i>
R2-2-4811	Type 1	1.063	3.217-(O)	1.849-M	4	.406	2.358	2.358	1.375	3.330	<i>*BMW Bolt Pattern</i>
R2-2-3201**	Type 8	1.063	3.217-(O)	2.163-F	4	.490	2.780	2.780	2.125	3.938	<i>*Jeep Bolt Pattern</i>
R2-2-3200**	Type 1	1.063	3.217-(O)	2.163-F	4	.490	3.200	3.200	2.125	4.500	<i>*Jeep Bolt Pattern</i>
R2-2-3100	Type 1	1.063	3.217-(O)	2.363-M	4	.438	2.390	2.015	1.625	3.125	<i>*Jeep Cage & Ball Housings</i>
R2-2-3192	Type 1	1.063	3.217-(O)	2.363-M	4	.393	2.390	2.015	1.625	3.125	<i>*Land Rover Discovery Bolt Pattern</i>
R2-2-1519	Type 1	1.063	3.217-(O)	2.563-M	4	.406	2.706	1.967	1.625	3.346	<i>*Isuzu Bolt Pattern</i>

** New addition to MC1014-2 catalog

FLANGE YOKE (Standard Applications)



RDL Part No.	Yoke Type	A Bearing Dia.	BI / BO U-Joint Lockup	C Pilot Dia.	Bolt Hole Dim.			G CL to Flng End	Bolt Circle
					Holes	D	E		

1310 Series (Conversion Applications) cont.

Use RDL Kit - K153

R2-2-3149	Type 1	1.063	3.217-(O)	2.875-F	4	.413	2.784	2.784	1.625	3.937
									*GM Cage & Ball Housings	
R2-2-3185	Type 2	1.063	3.217-(O)	3.819-M	6	.328	—	—	2.656	3.375
									*Jeep Cage & Ball Housings	
R2-2-3101	Type 2	1.063	3.217-(O)	3.914-M	6	.328	—	—	2.656	3.375
									*Jeep Cage & Ball Housings	
R2-2-3102	Type 2	1.063	3.217-(O)	4.093-M	6	.344	—	—	2.656	3.586
									*Ford Cage & Ball Housings	

1330 Series

Use RDL Kit - K1203 or K213

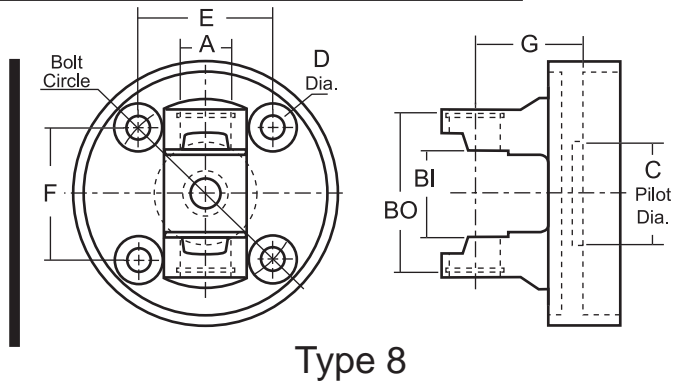
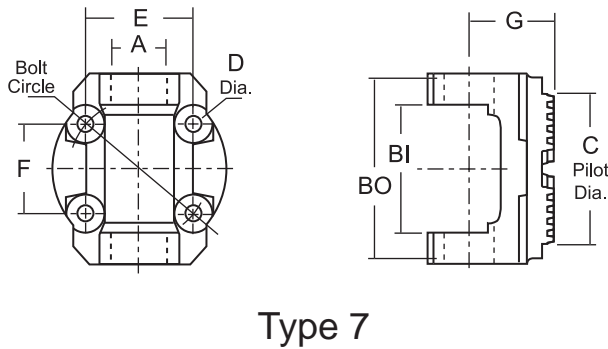
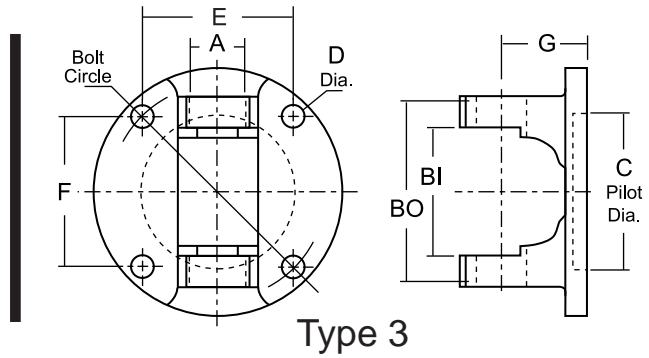
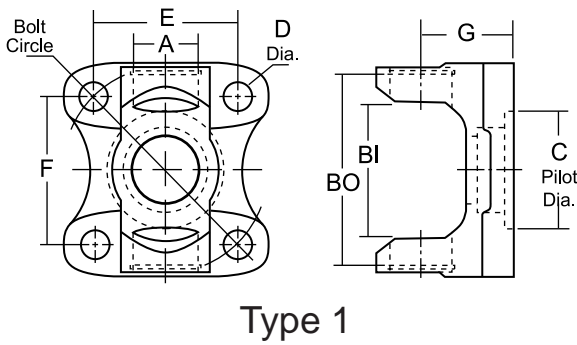
R2-2-949	Type 1	1.063	3.622-(O)	2.000-F	4	.484	2.469	2.469	1.625	3.500
R2-2-1369	Type 1	1.063	3.622-(O)	2.000-F	4	.500	3.000	3.000	1.688	4.250
R2-2-1879	Type 1	1.063	3.622-(O)	2.161-F	4	.480	2.784	2.784	1.875	3.937

1330 Series (Conversion Applications)

Use RDL Kit - K1203 or K213

R2-2-1399	Type 3	1.063	3.622-(O)	3.125-F	4	.453	3.000	3.000	1.688	4.250
									*Saginaw Bolt Pattern	
R2-2-3189	Type 2	1.063	3.622-(O)	3.625-M	4	.418	3.150	3.150	3.438	4.455
									*Hummer H3 & GMC Colorado Cage & Ball Housings	

FLANGE YOKE (Standard Applications)



RDL Part No.	Yoke Type	A Bearing Dia.	BI / BO U-Joint Lockup	C Pilot Dia.	Bolt Hole Dim.			G CL to Flng End	Bolt Circle
					Holes	D	E		

430 Series (Staked-In Applications)*

Use RDL Kit - K178

414-3350**	Type 1	1.066	1.780-(I)	2.163-F	4	.490	3.200	3.200	2.125	4.500
414-3351**	Type 8	1.066	1.780-(I)	2.163-F	4	.490	2.780	2.780	2.125	3.938

*Jeep Bolt Pattern
*Jeep Bolt Pattern

3R Series

Use RDL Kit - K3147

R3R-2-675	Type 1	1.125	2.563-(I)	2.163-F	4	.502	2.783	2.783	1.938	3.938
R3R-2-8268	Type 3	1.125	2.563-(I)	3.125-F	4	.453	3.000	3.000	1.703	4.250
R3R-2-9801	Type 7	1.125	2.563-(I)	Serrated	4	.335	2.235	1.875	2.087	2.913

2.5R Series

Use RDL Kit - K1510

R25-2-422	Type 1	1.142	2.047-(I)	1.809-M	4	.328	2.520	2.202	1.438	3.340
R25-2-422A	Type 1	1.142	2.047-(I)	1.809-M	4	.406	2.358	2.358	1.768	3.334
R25-2-422B	Type 1	1.142	2.047-(I)	1.809-M	4	.406	2.364	2.696	1.768	3.586

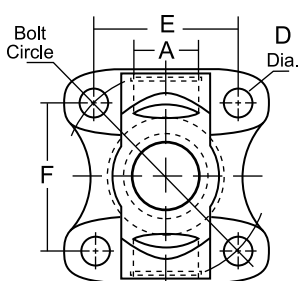
2.5R Series (You Drill It - No Holes)

Use RDL Kit - K1510

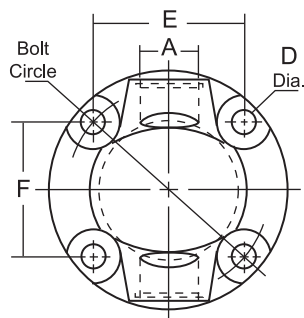
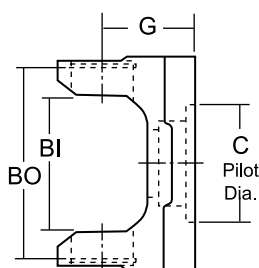
R25-2-422ALH	Type 1	1.142	2.047-(I)	1.809-M	0	solid	solid	solid	1.768	solid
--------------	--------	-------	-----------	---------	---	-------	-------	-------	-------	-------

*Toyota Pilot, no bolt holes. Drill to suit your needs

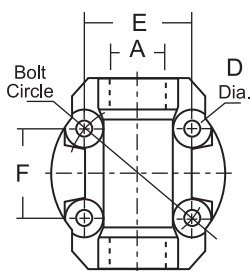
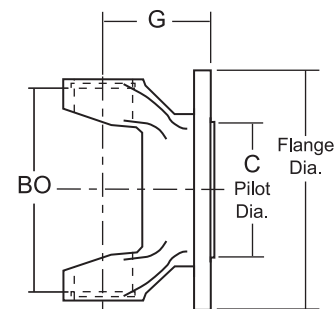
FLANGE YOKE (Standard Applications)



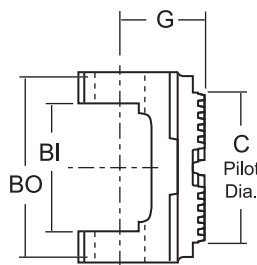
Type 1



Type 6



Type 7



RDL Part No.	Yoke Type	A Bearing Dia.	BI / BO U-Joint Lockup	C Pilot Dia.	Bolt Hole Dim.			G CL to Flng End	Bolt Circle
					Holes	D	E		

1350 Series

Use RDL Kit - K178

R3-2-1579	Type 1	1.188	3.622-(O)	2.000-F	4	.500	3.000	3.000	1.563	4.250
R3-2-1699	Type 1	1.188	3.622-(O)	2.680-F	4	M12x1.75	3.000	3.000	1.500	4.250
R3-2-16990	Type 1	1.188	3.622-(O)	2.680-F	4	.470	3.000	3.000	1.500	4.250
R3-2-119	Type 1	1.188	3.622-(O)	2.750-M	4	.438	2.875	2.406	1.563	3.750
R3-2-5913	Type 1	1.188	3.622-(O)	2.859-F	4	.500	3.182	3.182	2.000	4.500
R3-2-8359**	Type 7	1.188	3.622-(O)	Serrated	4	.335	2.235	1.875	2.087	2.913

1410 Series

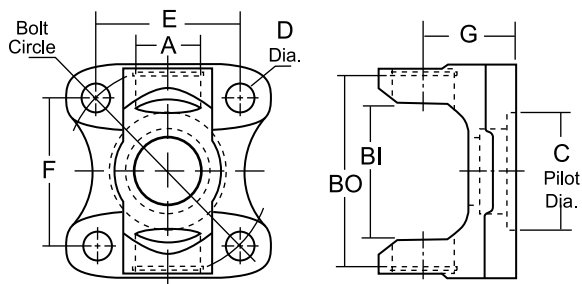
Use RDL Kit - K160

R3-2-1819	Type 1	1.188	4.182-(O)	2.000-F	4	.500	3.000	3.000	1.625	4.250
R3-2-5207^{HA}**	Type 6	1.188	4.182-(O)	2.000-F	4	.500	3.000	3.000	3.375	4.250
R3-2-3204**	Type 1	1.188	4.182-(O)	2.680-F	4	M12x1.75	3.000	3.000	1.625	4.250
R3-2-6691^{HA}**	Type 6	1.188	4.182-(O)	2.750-M	4	.438	2.688	2.688	3.375	3.750
R3-2-159	Type 1	1.188	4.182-(O)	2.750-M	4	.438	2.875	2.406	1.688	3.750
R3-2-6683^{HA}**	Type 6	1.188	4.182-(O)	2.750-M	4	.438	2.875	2.406	3.375	3.750
R3-2-3700	Type 6	1.188	4.182-(O)	70mm-M	4	.480	3.018	2.538	2.167	3.940
R3-2-1839**	Type 1	1.188	4.182-(O)	2.937-F	4	.510	3.359	3.359	2.000	4.750
R3-2-6681^{HA}**	Type 6	1.188	4.182-(O)	3.125-F	4	.500	3.000	3.000	3.375	4.250
R3-2-2500	Type 1	1.188	4.182-(O)	3.750-M	4	.510	3.359	3.359	2.094	4.750
R3-2-429	Type 1	1.188	4.182-(O)	3.750-M	4	.500	3.640	3.031	2.000	4.750

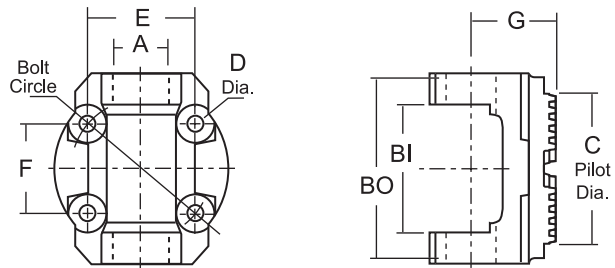
** New addition to MC1014-2 catalog
HA - High angle option - 30° of operation



FLANGE YOKE (Standard Applications)



Type 1

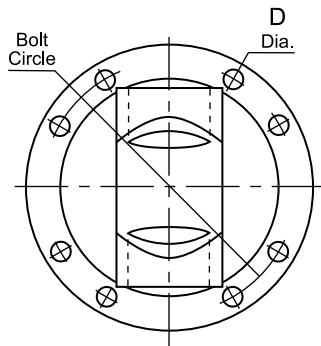


Type 7

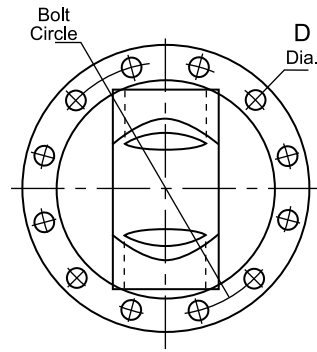
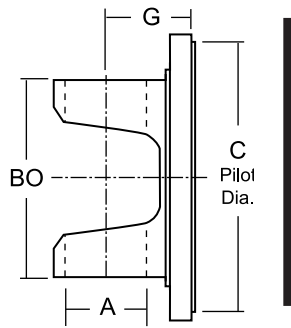
RDL Part No.	Yoke Type	A Bearing Dia.	BI / BO U-Joint Lockup	C Pilot Dia.	Bolt Hole Dim.			G CL to Flng End	Bolt Circle	
					Holes	D	E			F
1480 Series		Use RDL Kit - K188								
R3-2-3205**	Type 1	1.188	3.622-(O)	2.680-F	4	M12x1.75	3.000	3.000	1.797	4.250
R3-2-479	Type 1	1.375	4.182-(O)	3.750-M	4	.500	3.640	3.031	2.000	4.750
1485 Series - AAM		Use RDL Kit - K1485								
R3-2-2502	Type 1	1.375	4.177-(O)	3.750-M	4	.500	3.359	3.359	2.250	4.750
1550 Series		Use RDL Kit - K155								
R4-2-669	Type 1	1.375	4.966-(O)	3.750-M	4	.500	3.640	3.031	2.000	4.750
1555 Series - AAM		Use RDL Kit - K1555								
R4-2-8046	Type 7	1.375	4.960-(O)	Serrated	4	.413	3.359	3.359	2.750	4.750
R4-2-8047	Type 1	1.375	4.960-(O)	3.750-M	4	.500	3.359	3.359	2.250	4.750

** New addition to MC1014-2 catalog

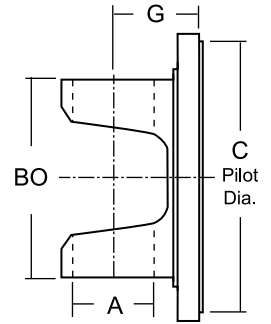
FLANGE YOKE (Bearing Plate Applications)



Type 4



Type 5



RDL Part No.	Yoke Type	A Bearing Dia.	BI / BO U-Joint Lockup	C Pilot Dia.	Bolt Hole Dim.			G CL to Flng End	Bolt Circle	
					Holes	D	E			F
1610 Series		Use RDL Kit - K279								
R5-2-279	Type 4	1.875	5.312-(O)	6.625-M	8	.375	—	—	2.750	6.125
1710 Series		Use RDL Kit - K280								
R6-2-749	Type 4	1.938	6.094-(O)	7.750-M	8	.375	—	—	3.000	7.250
1810 Series		Use RDL Kit - K281								
R6.5-2-329	Type 5	1.938	7.547-(O)	7.750-M.	12	.438	—	—	3.375	7.250



PART NUMBER INTERCHANGE LIST

MFG. NO.	OUR NO.	MFG. NO.	OUR NO.	MFG. NO.	OUR NO.
AAM (American Axle)		Neapco (Cont.)		Spicer	
40030675.....	R3R-2-675	N3-2-119.....	R3-2-119	2-2-329.....	R2-2-329
40038046.....	R4-2-8046	N3-2-141.....	R3-2-5913	2-2-459.....	R2-2-459
40038047.....	R4-2-8047	N3-2-159.....	R3-2-159	2-2-479.....	R2-2-479
74082500.....	R3-2-2500	N3-2-429.....	R3-2-429	2-2-899.....	R2-2-899
74082502.....	R3-2-2502	N3-2-479.....	R3-2-479	2-2-939.....	R2-2-939
74085913.....	R3-2-5913	N3R-2-8268.....	R3R-2-8268	2-2-949.....	R2-2-949
74088268.....	R3R-2-8268	N4-2-669.....	R4-2-669	2-2-1049.....	R2-2-1049
74088507.....	R3-2-2502	N5-2-279.....	R5-2-279	2-2-1369.....	R2-2-1369
74089801.....	R3R-2-9801	N6-2-749.....	R6-2-749	2-2-1379.....	R2-2-1379
		N6.5-2-329.....	R6.5-2-329	2-2-1399.....	R2-2-1399
Meritor		PTI (Powertrain Industries)		2-2-1519.....	R2-2-1519
121N-2-899.....	R2-2-899	1302-15.....	R25-2-422A	2-2-1609.....	R2-2-3100
121N-2-1049.....	R2-2-1049	1302-16.....	R25-2-422	2-2-1679.....	R2-2-799-1
121N-2-1050.....	R2-2-1050	2101-50.....	R2-2-1050	2-2-1879.....	R2-2-1879
131N-2-329.....	R2-2-329	3102-15.....	R2-2-799-1	2-2-1949.....	R2-2-1949
131N-2-479.....	R2-2-479	3102-16.....	R2-2-799	3-2-119.....	R3-2-119
131N-2-799.....	R2-2-799	3102-18.....	R2-2-799-2	3-2-159.....	R3-2-159
131N-2-799-1.....	R2-2-799-1	3102-86.....	R2-2-3101	3-2-1579.....	R3-2-1579
131N-2-939.....	R2-2-939	3102-91.....	R2-2-3102	3-2-1699.....	R3-2-1699
135N-2-119.....	R3-2-119	3102-063.....	R2-2-3201	3-2-1789.....	R3-2-2500
141N-2-159.....	R3-2-159	3102-216.....	R2-2-3200	3-2-1819.....	R3-2-1819
141N-2-429.....	R3-2-429	3302-1369.....	R2-2-1369	3-2-1839.....	R3-2-1839
148N-2-479.....	R3-2-479	3502-1579.....	R3-2-1579	3-2-429.....	R3-2-429
155N-2-669.....	R4-2-669	3R02-21.....	R3R-2-8268	3-2-479.....	R3-2-479
16N-2-279.....	R5-2-279	4102-1709.....	R3-2-3204	4-2-669.....	R4-2-669
R3R-2-8268.....	R3R-2-8268	5502-371.....	R4-2-8047	5-2-279.....	R5-2-279
		5502-531.....	R4-2-8046	6-2-749.....	R6-2-749
				6.5-2-329.....	R6.5-2-329
Neapco		Rockford (Old Numbers)			
N2-2-329.....	R2-2-329	404-31FY.....	R2-2-939		
N2-2-329-1.....	R2-2-3100	404-31FYA.....	R2-2-3101		
N2-2-459.....	R2-2-459	404-31FYC.....	R2-2-3100		
N2-2-479.....	R2-2-479	408-31FY.....	R2-2-1050		
N2-2-799.....	R2-2-799	408-31FYA.....	R2-2-1050		
N2-2-799-1.....	R2-2-799-1	410-31FY.....	R3R-2-8268		
N2-2-899.....	R2-2-899	422.....	R25-2-422		
N2-2-939.....	R2-2-939	422A.....	R25-2-422A		
N2-2-1049.....	R2-2-1049				
N2-2-1050.....	R2-2-1050				
N2-2-1369.....	R2-2-1369				
N2-2-1379.....	R2-2-1379				
N2-2-1757.....	R2-2-3102				
N2-2-2323.....	R2-2-2323				

PART NUMBER	PG	PART NUMBER	PG
414-2-3350**	6	R3-2-479	8
414-2-3351**	6	R3-2-1579	7
R2-2-329	3	R3-2-1699	7
R2-2-459	3	R3-2-1819	7
R2-2-479	3	R3-2-1839**	7
R2-2-799	3	R3-2-2500.....	7
R2-2-799-1	4	R3-2-2502.....	8
R2-2-799-2	4	R3-2-3204**	7
R2-2-799-3	4	R3-2-3205**	8
R2-2-799-4	4	R3-2-3700	7
R2-2-899	3	R3-2-5207**	7
R2-2-939	3	R3-2-5913	7
R2-2-949	5	R3-2-6681**	7
R2-2-1049	3	R3-2-6683**	7
R2-2-1050	3	R3-2-6691**	7
R2-2-1369	5	R3-2-8359**	7
R2-2-1379	3	R3-2-16990.....	7
R2-2-1399	5	R3R-2-675.....	6
R2-2-1519	4	R3R-2-8268	6
R2-2-1879	5	R3R-2-9801	6
R2-2-1949	3	R4-2-669	8
R2-2-2323**	3	R4-2-8046.....	8
R2-2-3100	4	R4-2-8047.....	8
R2-2-3101	5	R5-2-279	9
R2-2-3102	5	R6-2-749	9
R2-2-3149	5	R6.5-2-329	9
R2-2-3173	3		
R2-2-3185	5		
R2-2-3189	5		
R2-2-3192	4		
R2-2-3200**	4		
R2-2-3201**	4		
R2-2-4811	4		
R25-2-422	6		
R25-2-422A	6		
R25-2-422ALH	6		
R25-2-422B	6		
R2R-2-293	3		
R3-2-119	7		
R3-2-159	7		
R3-2-429	7		

** New addition to MC1014-2 catalog

MANUFACTURER OF DRIVELINE COMPONENTS
1500 11TH AVENUE ROCKFORD, ILLINOIS 61104
PHONE (815) 962-1411 FAX (815) 965-4857
RockfordDriveLine.com